

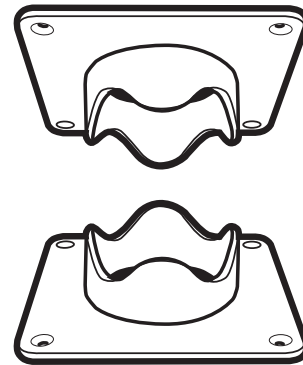
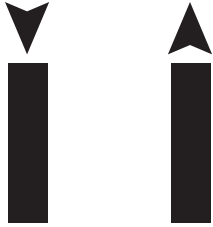
Colonial Porch Post • Poteau de véranda coloniale

Poste de pörtico colonial



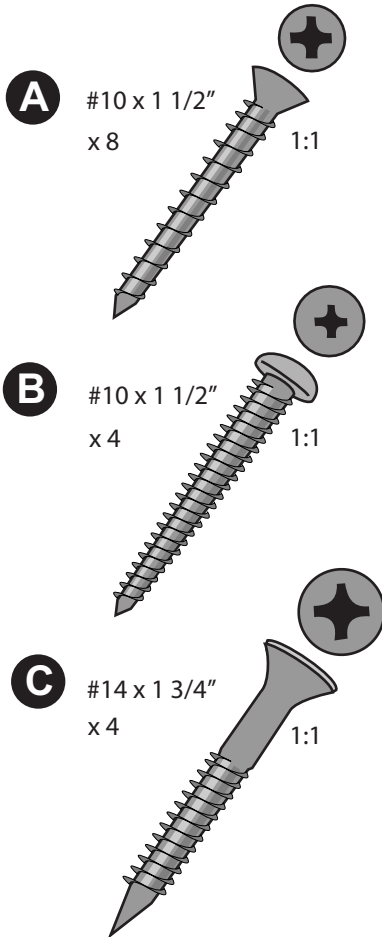
Maximum Rail System Height 36"
Hauteur maximale de 91,4 cm (36 po) du système de garde-fou
Altura máxima de la baranda 91,4 cm (36")

7400 lb 1600 lb

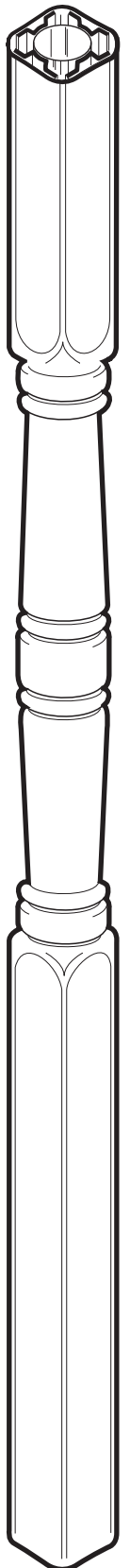
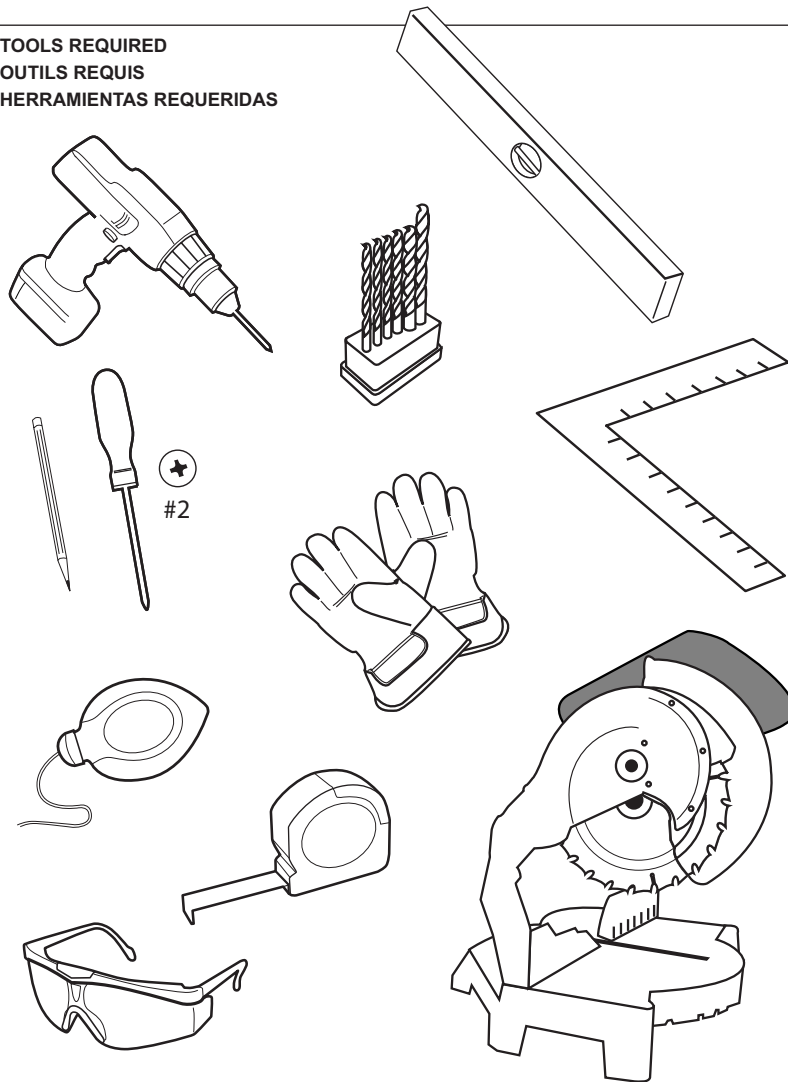


NOT TO SCALE
NON À L'ÉCHELLE
NO ESTÁ A ESCALA

HARDWARE INCLUDED
QUINCAILLERIE INCLUSE
ELEMENTOS DE FIJACIÓN INCLUIDOS



TOOLS REQUIRED
OUTILS REQUIS
HERRAMIENTAS REQUERIDAS



Amerimax
Home Products, Inc.

U.S.A:
AMERIMAX HOME PRODUCTS, INC.
450 Richardson Drive
Lancaster, PA 17603
Attention: Customer Service



1 800 347 2586
(717) 299 3711
www.amerimax.com

CANADA:
GSW BUILDING PRODUCTS INC.
26 Lorena Street
Barrie, Ontario L4N 4P4
Attention: Customer Service



1 800 461 5706
(705) 728 7141
www.gsw-bp.com
info@gsw-bp.com

INSTALLATION INSTRUCTIONS / INSTRUCTIONS D'INSTALLATION / INSTRUCCIONES DE INSTALACIÓN

