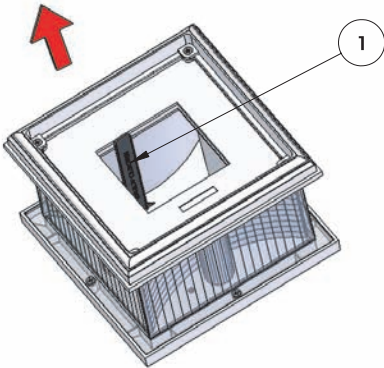
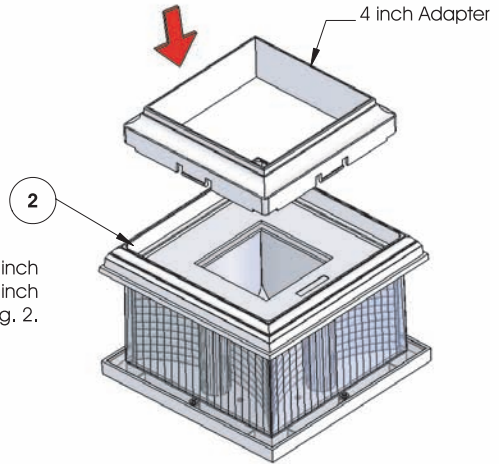


Solar Cap Installation Instructions

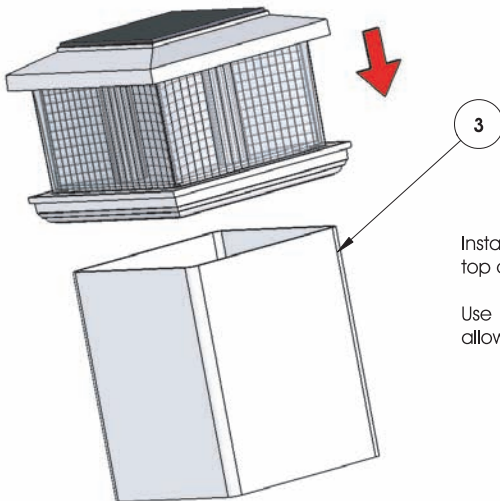


Turn cap upside down. Remove Activation Tab by pulling out the tab, as shown in Fig. 1. Discard the Tab. This will activate your Solar Cap.

Note: Some Solar Caps will require a full day of sunlight to charge and activate.



The Solar Cap is designed to fit either a 4 or a 5 inch post. To install onto a 4 inch post, snap the 4 inch adapter onto the bottom of the cap, as shown in Fig. 2. To install onto a 5 inch post, discard the adapter.

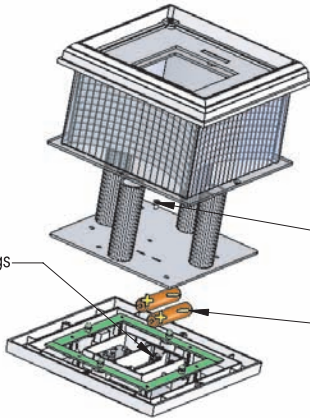
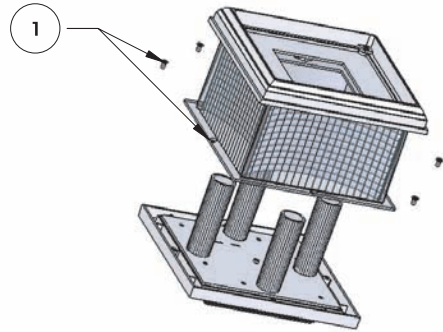


Install the Solar Cap onto the post by placing the cap on top of the post, as shown in Fig. 3.

Use silicone caulk to hold the cap firmly in place, allowing easy removal for maintenance.

Solar Cap Battery Replacement

Remove the (4) screws holding the top of the Solar Cap to the body, as shown in Fig. 1.



Remove the center screw holding the bulb plate to the top, as shown in Fig. 2.

Replace the existing batteries, as shown in Fig. 3.

Note: Negative poles of the batteries should face the springs.

4 Re-install all screws in the reverse order of disassembly. Place Solar Cap back onto the post following the proper installation instructions provided.

(2) AA size, 900mAh, 1.2 V Ni-CD (nickel cadmium) batteries

Solar Lighting Two Year Warranty

If within two (2) years from the date of purchase, this product fails due to defect in material or workmanship, Euramax Canada Inc. will repair or replace it, at its sole option, free of charge. This warranty applies only to the original purchaser and is not transferable.

EURAMAX CANADA, INC. WILL NOT BE LIABLE FOR INCIDENTAL OR CONSEQUENTIAL DAMAGES. SOME JURISDICTIONS DO NOT ALLOW THE EXCLUSION OR LIMITATION OF INCIDENTAL OR CONSEQUENTIAL DAMAGES SO THE ABOVE LIMITATION OR EXCLUSION MAY NOT APPLY TO YOU.

THIS WARRANTY IS IN LIEU OF ALL OTHER EXPRESS OR IMPLIED WARRANTIES, ALL IMPLIED WARRANTIES, INCLUDING THE WARRANTY OF FITNESS FOR A PARTICULAR PURPOSE, ARE HEREBY MODIFIED TO EXIST ONLY AS CONTAINED IN THIS LIMITED WARRANTY, AND SHALL BE OF THE SAME DURATION AS THE WARRANTY PERIOD STATED ABOVE. SOME JURISDICTIONS DO NOT ALLOW LIMITATIONS ON THE DURATION OF AN IMPLIED WARRANTY, SO THE ABOVE LIMITATIONS MAY NOT APPLY TO YOU.

This warranty does not apply to: (a) damage caused by abuse in handling, dropping; (b) acts of God; (c) units which have been subjected to unauthorized repair, opened, taken apart or otherwise modified; (d) units not used in accordance with directions; (e) damages exceeding the cost of the product; (f) sealed lamps and/or lamp bulbs LED's and batteries (g) the finish on any portion of the product, such as surface scratches and/or weathering, as this is considered normal wear and tear. Some jurisdictions do not allow a limitation of damages so the foregoing limitation may not apply to you. This warranty gives you specific legal rights and you may also have other rights, which vary from jurisdiction to jurisdiction.

Warranty service is available by mailing postage prepaid to the authorized service station listed below. Please be sure to wrap the product securely when mailing to avoid shipping damage.



U.S.A:
AMERIMAX HOME PRODUCTS, INC.
450 Richardson Drive
Lancaster, PA 17603
Attention: Customer Service



1 800 347 2586
(717) 299 3711
www.amerimax.com

CANADA:
EURAMAX CANADA, INC.
26 Lorena Street
Barrie, Ontario L4N 4P4
Attention: Customer Service



1 800 461 5706
(705) 728 7141
www.euramaxcanada.com
info@euramax.com