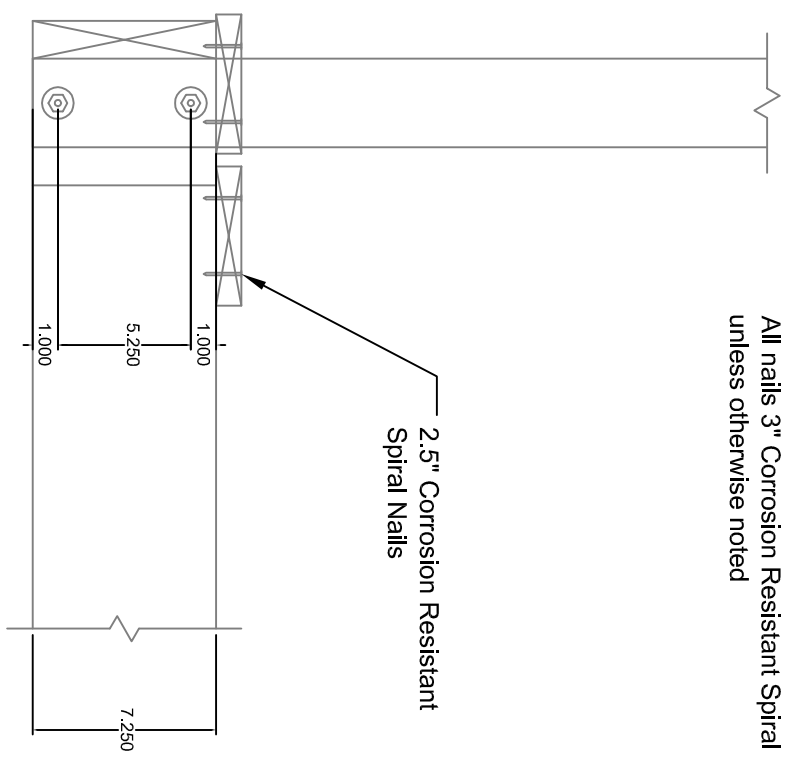
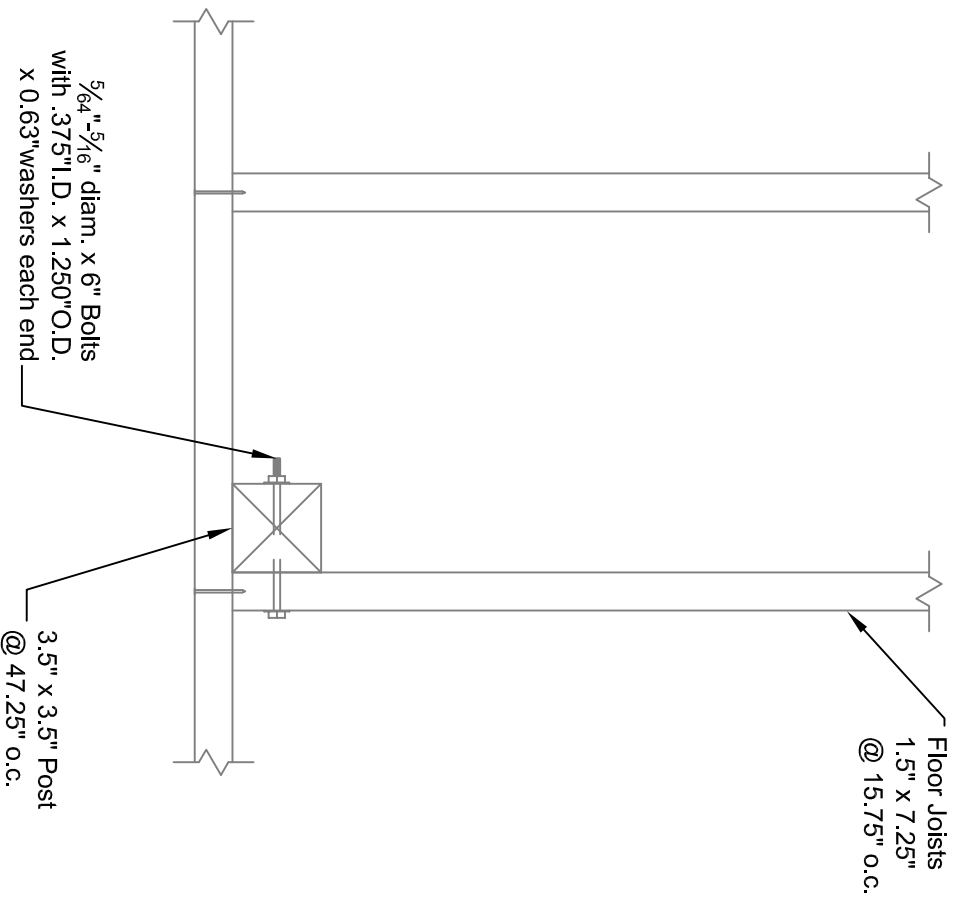


Post Bolted to Rim Joist



Note:
All nails 3" Corrosion Resistant Spiral
unless otherwise noted